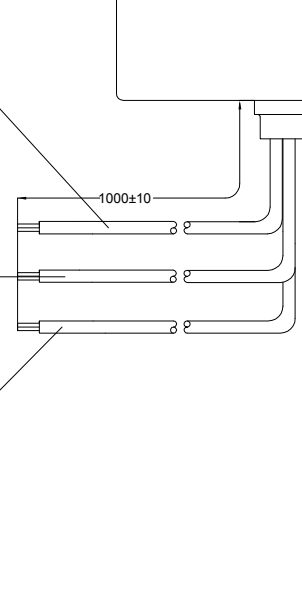
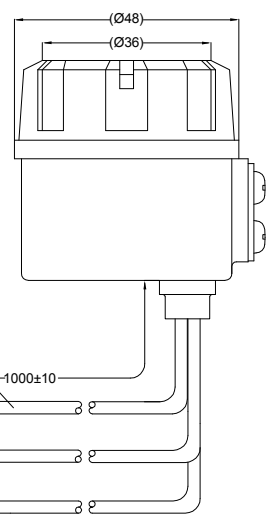
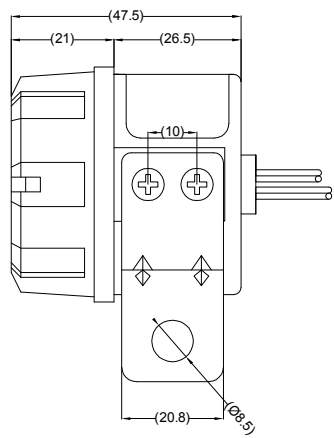
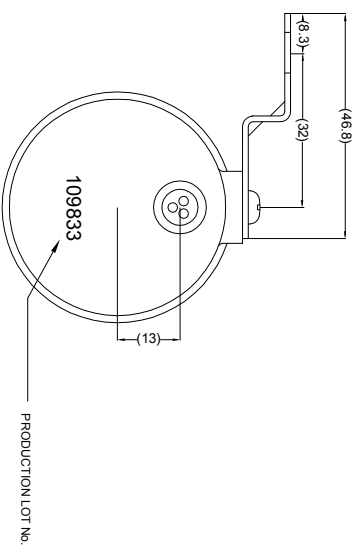
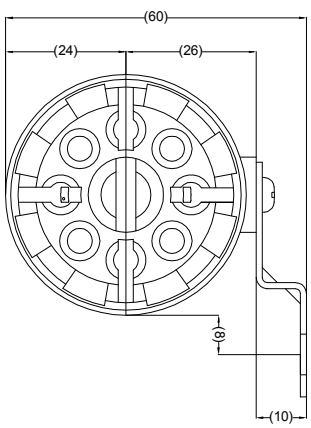


Revision Notes			
R1 - NOTES UPDATED TO INCLUDE LABEL DETAILS AS PER ECR CR-A274.			
AP: A. KILDA	Drawn/RBATES	Checked/M BUTLER	Approved/GPLITH
			Date: 28/08/14



BLUE: CONNECT AV-0.5 TO TAIL OR LICENSE PLATE LAMP (NIGHT SILENCED)



SPECIFICATION:

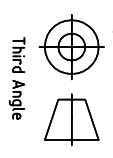
1. RATED VOLTAGE 12~24V DC
2. WORKING VOLTAGE RANGE: 9V THROUGH 30V DC
3. RATED CURRENT: 30±10mA AT RATED VOLTAGE
4. SOUNDS PRESSURE: 90±6dB AT A DISTANCE OF 1m AND RATED VOLTAGE
5. FREQUENCY: 2400±300Hz AS POWERED AT RATED VOLTAGE
6. STARTING VOLTAGE: START TO SOUND AT 9V DC
7. VIBRATION RESISTANCE: TO BE FREE FROM ABNORMALITY AFTER TESTED AS SPECIFIED IN 6.8G TYPE B CLASS 3 JIS D 1601
8. WATER RESISTANCE: TO BE FREE OF ABNORMALITY AFTER TESTED AS SPECIFIED IN S1 JIS D 0203
9. DURABILITY: CONTINUOUSLY OPERABLE FOR 200 HOURS AT RATED VOLTAGE
10. INTERMITTENCY: 80±10 CYCLES/MIN. AT RATED VOLTAGE.

- NOTES:
1. FOR PRODUCT LABEL REFER TO LATEST REVISION OF DRAWING BE-002833-XX-14.
 2. FOR GIFTBOX LABEL REFER TO LATEST REVISION OF DRAWING BE-002834-XX-14.
 3. "R TRIANGLE" INDICATES CHANGES MADE TO REVISION OF DRAWING AS IDENTIFIED IN NOTES.



PROPRIETARY NOTICE
 THIS DESIGN AND TECHNICAL INFORMATION APPEARING ON THIS DRAWING IS THE PROPERTY OF BRIGADE ELECTRONICS, AND IS DISCLOSED IN CONFIDENCE. IT IS NOT TO BE COPIED, REPRODUCED, REVEALED TO OR EXPLOITED BY OTHERS, EITHER IN WHOLE OR IN PART WITHOUT THE EXPRESS WRITTEN CONSENT OF BRIGADE ELECTRONICS.

BRIGADE
 www.brigade-electronics.com



Assembly PI Approval	Approved by	Checked by	Drawn by
	B.JOHN	G.P.LITH	R.BATES
Angle of Projection	Units	Scale	Released
	mm	N/A	03/05/13
Third Angle	Status	BA-57	
	RELEASED		
Part No	BE-002294-01-13		
	0027		

